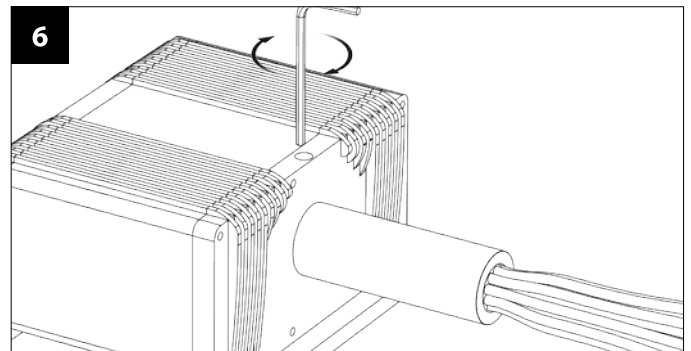
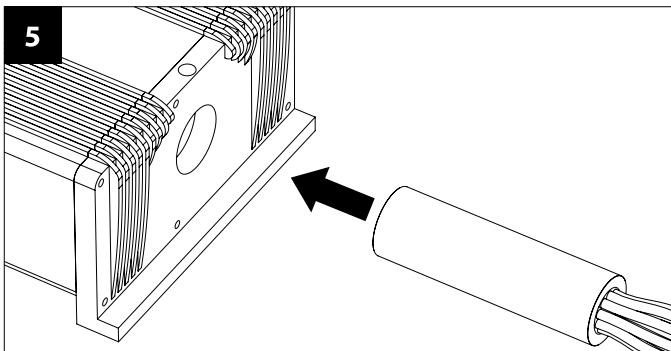
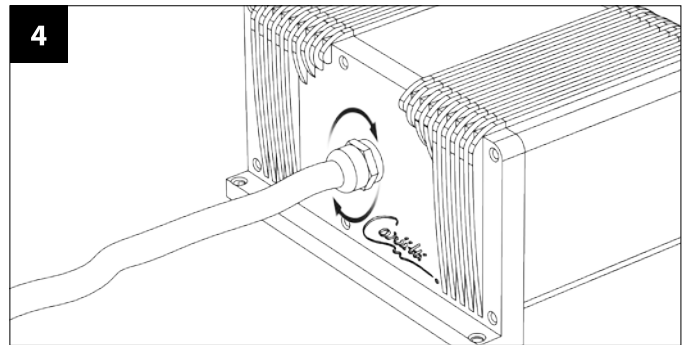
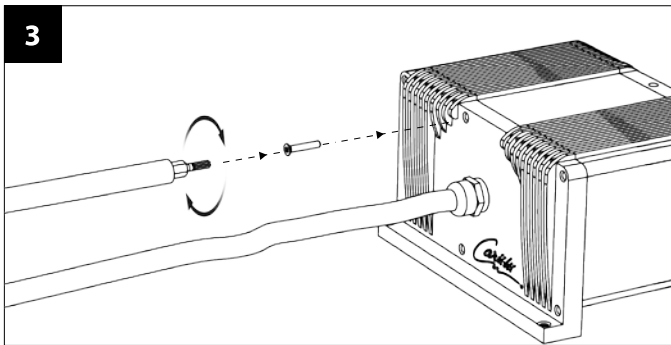
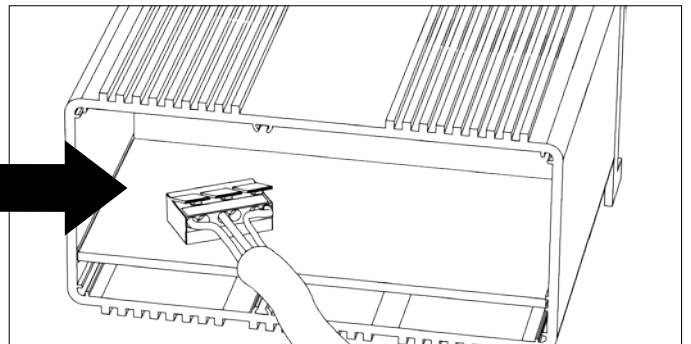
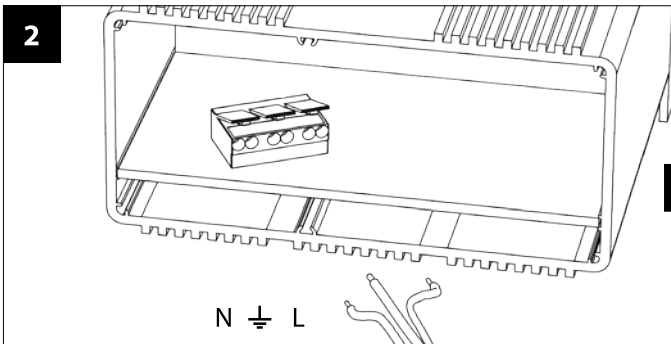
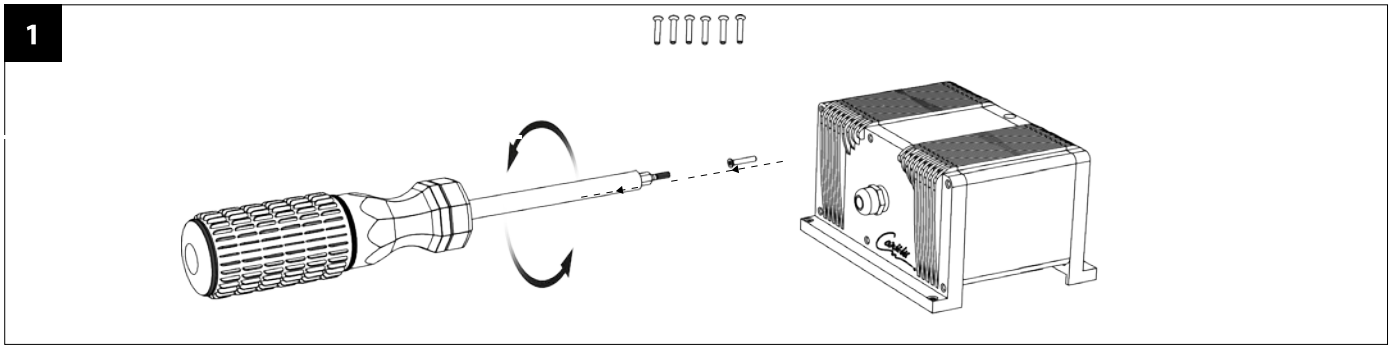


VPAC-1527
VPAC-1530
VPAC-1540

1501780
1501781
1501782



IP65 — ○ CE

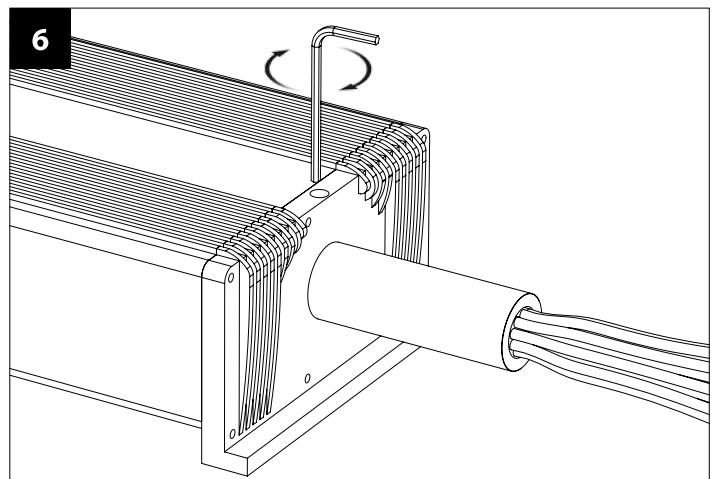
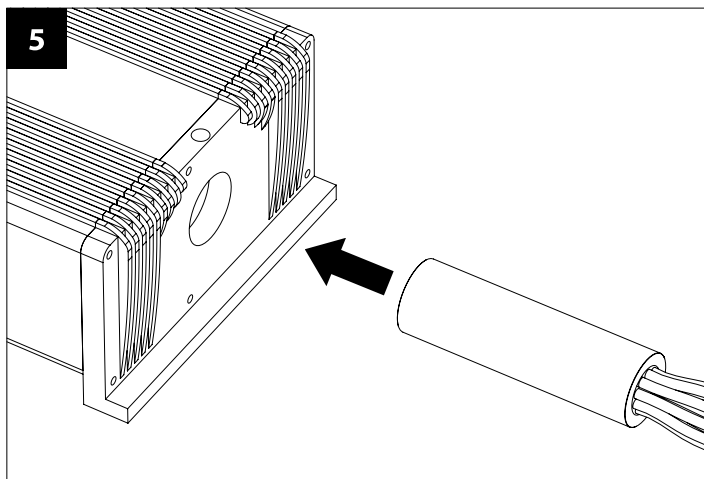
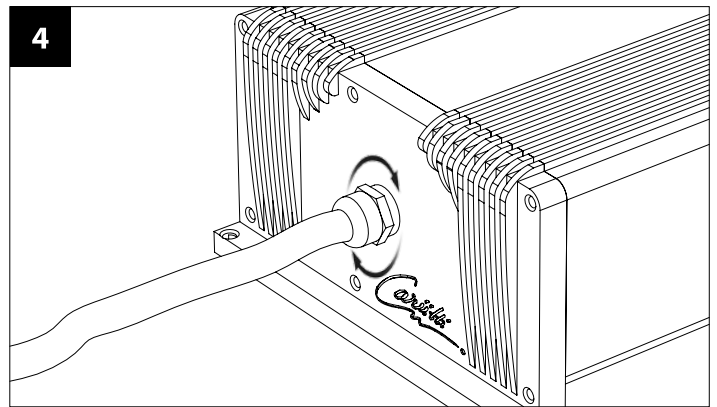
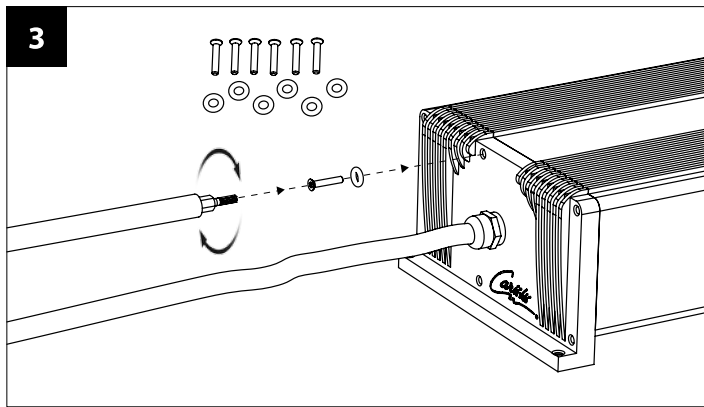
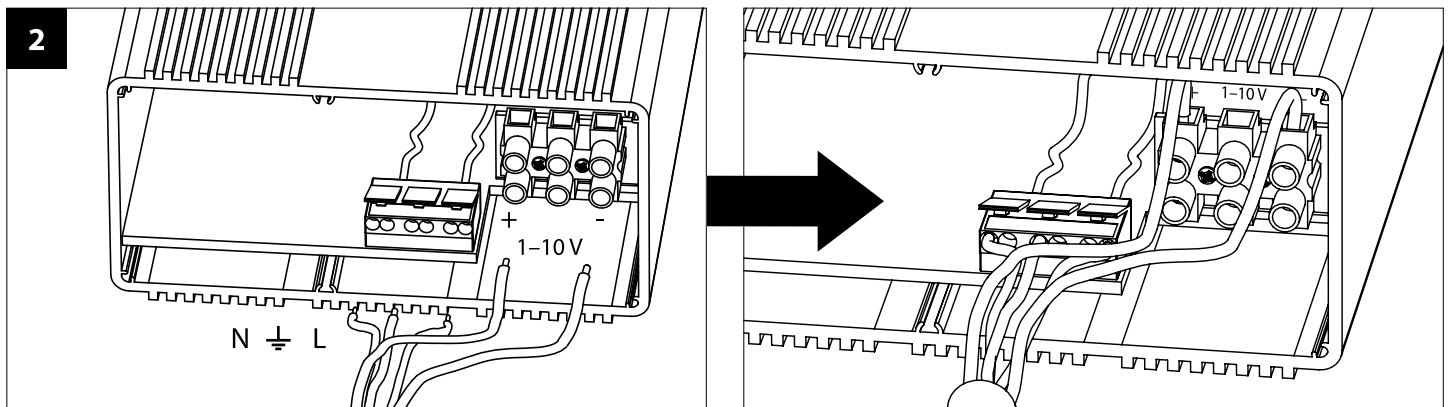
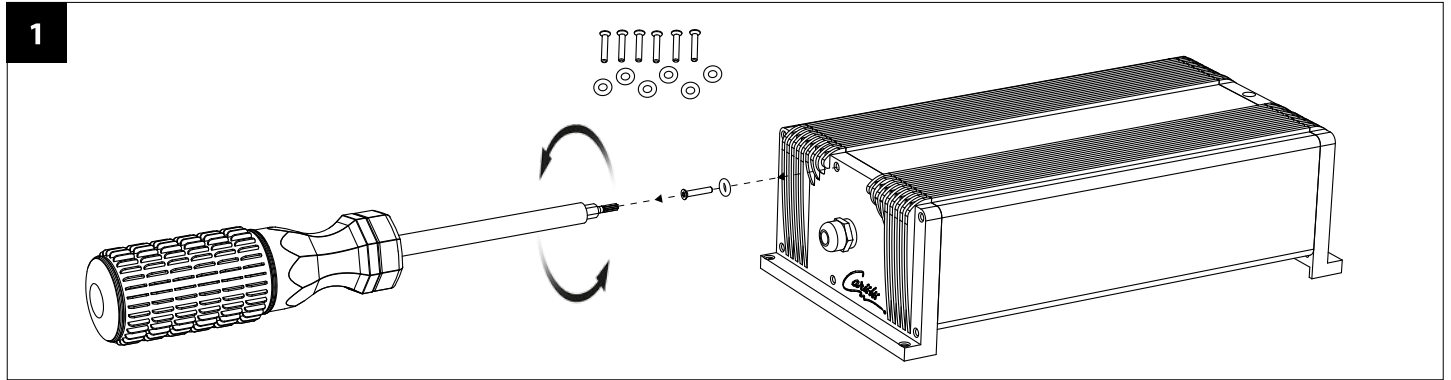


Cariitti Oy

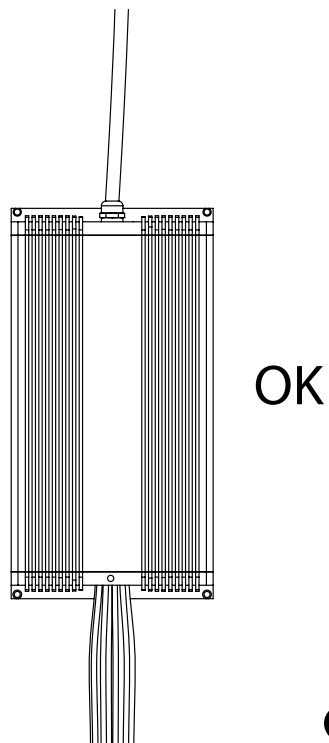
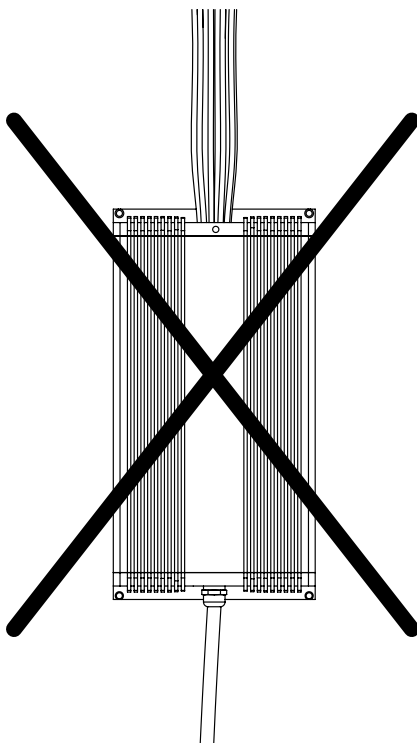
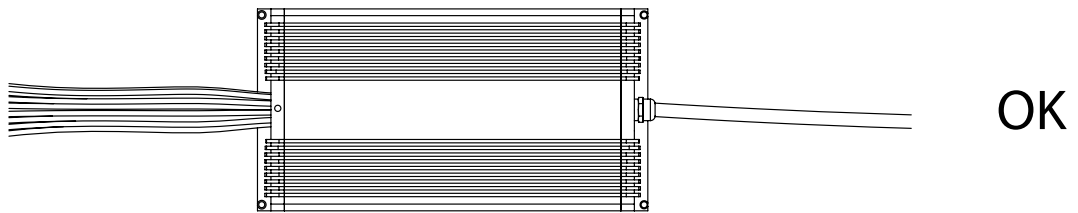
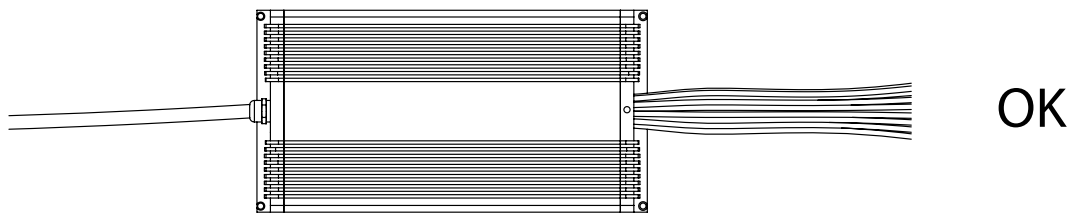
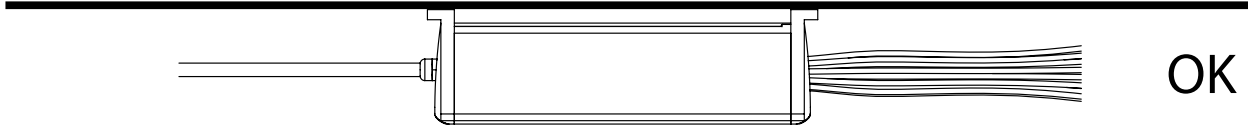
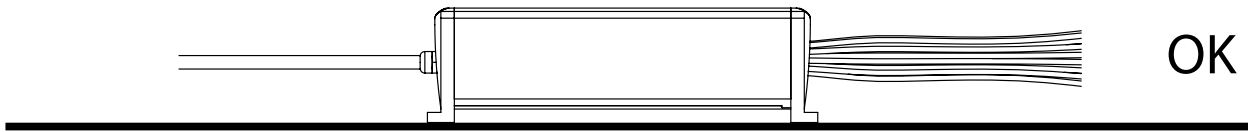
www.cariitti.com



Subject to change.



DIM 1 - 10V



IP65 CE EAC

